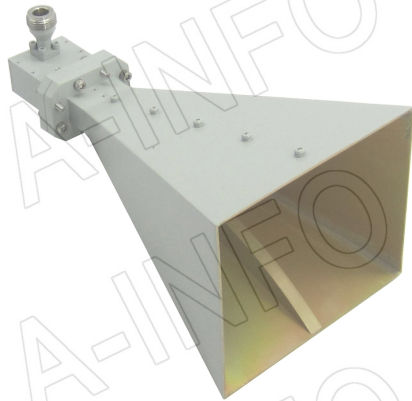


For reference only. See data sheet for the detailed specifications.

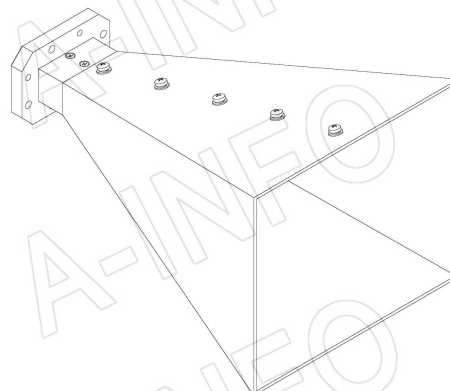
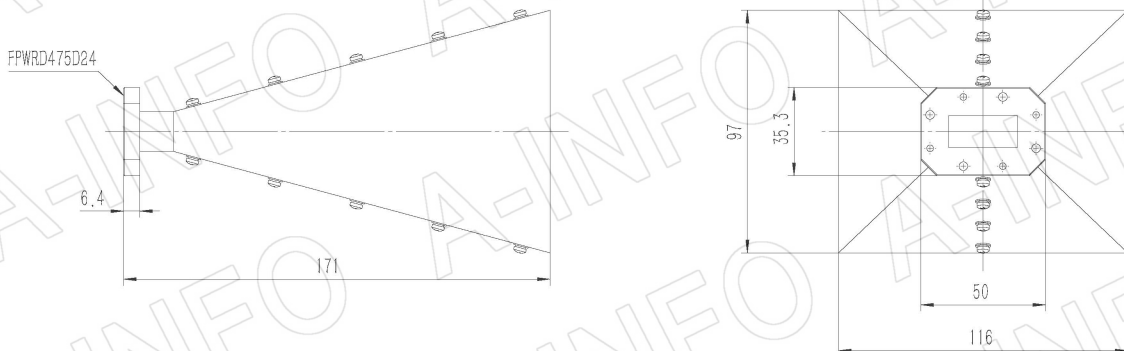
## Technical Specification



Frequency Range(GHz)	4.75 – 11.0
Gain(dBi)	15 Typ.
Polarization	Linear
3dB Beamwidth(deg)	E Plane: 32 - 19
	H Plane: 36 - 18
Cross Pol. Isolation(dB)	35 Typ.
VSWR	1.5:1 Typ.
Output	A Type: FPWRD475D24
	C Type: N-Female or SMA-Female
Power Handling(W CW)	N-F: 150 Max.
	SMA-F: 50 Max.
Material	Al
Finish	Chemical Conversion Coating, Gary Paint
Size(mm)	A Type: 116 x 97 x 171
	C Type: 116 x 97 x 215.7
Net Weight(Kg)	A Type: 0.20 Around
	C Type: 0.40 Around

## Outline Drawing (Size: mm)

FPWRD475D24 Output (P/N: LB-475110-15-A)



**AINFO Inc.**

China(Beijing):  
China(Chengdu):  
USA :

Tel: (+86) 10-6266-7326,  
Tel: (+86) 28-8519-2786,  
Tel: (+1) 949-639-9688,

(+86) 10-6266-7327  
(+86) 28-8519-3044  
(+1) 949-639-9608

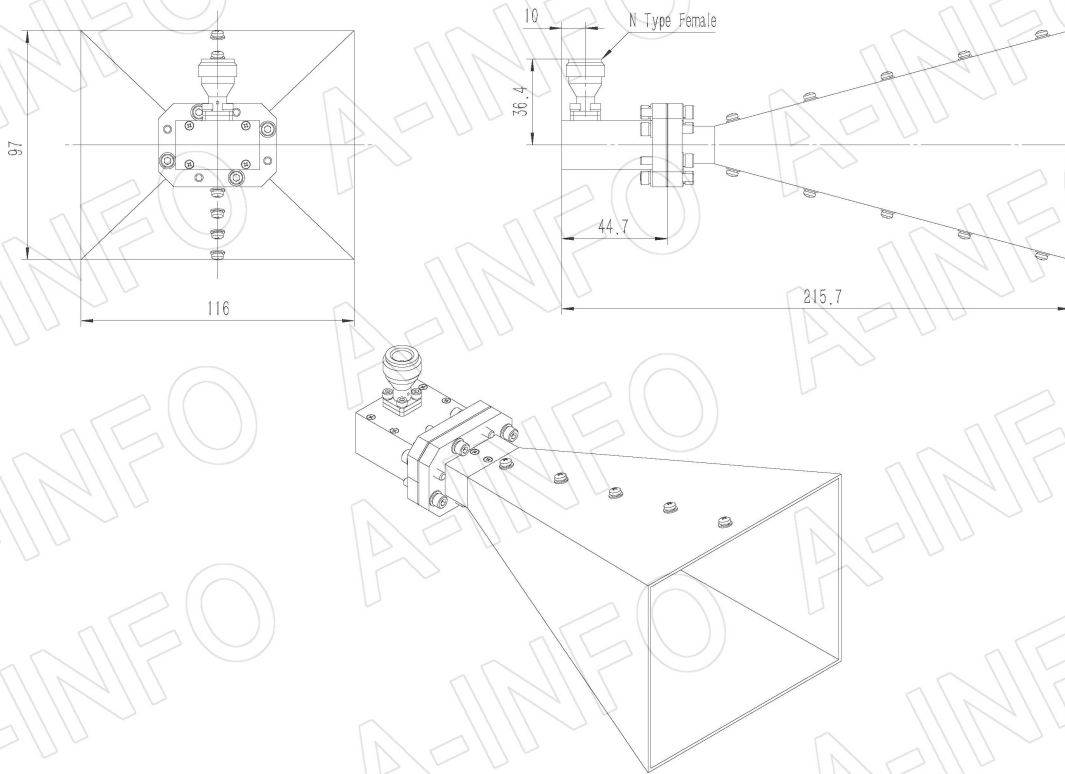
Page 1 of 11

Fax: (+86) 10-6266-7379  
Fax: (+86) 28-8519-3068  
Fax: (+1) 949-639-9670

Website: [www.ainfoinc.com](http://www.ainfoinc.com)  
Email: [sales@ainfoinc.com](mailto:sales@ainfoinc.com)

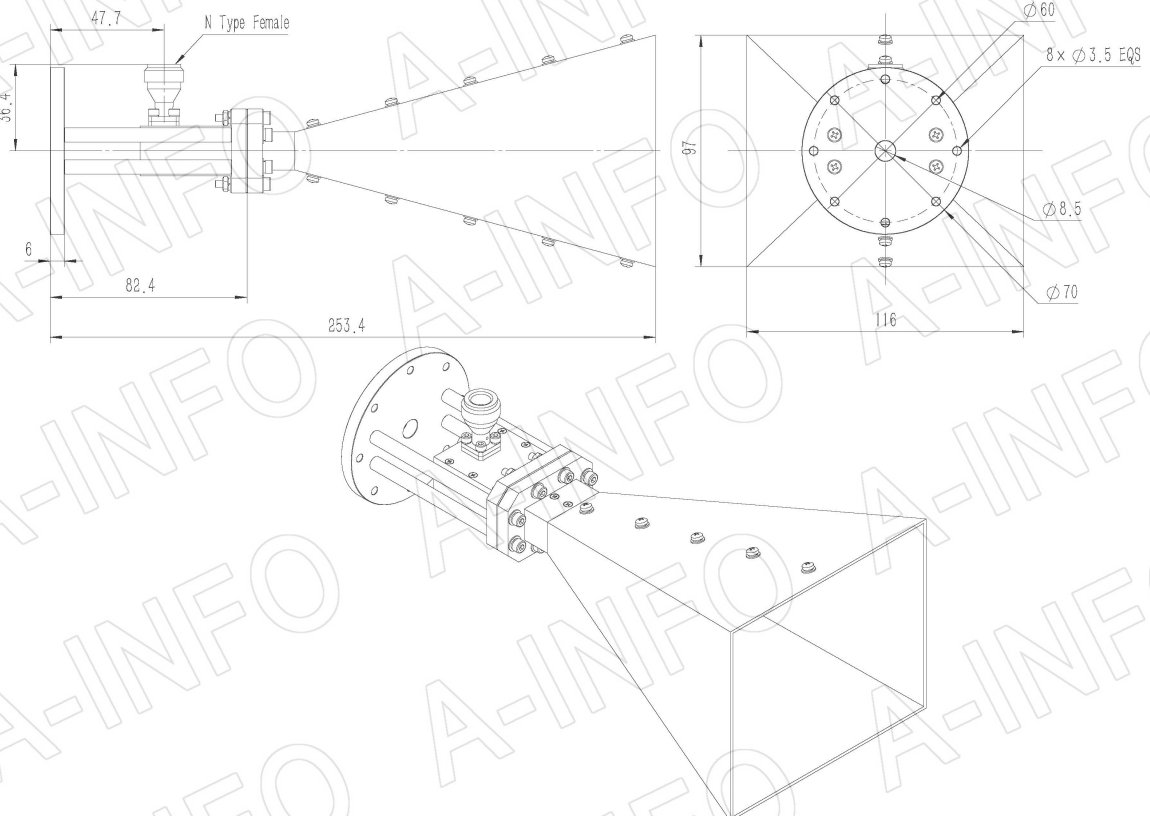
## N-Female Output (P/N: LB-475110-15-C-NF)

For SMA-Female output outline drawing, please contact A-INFO.



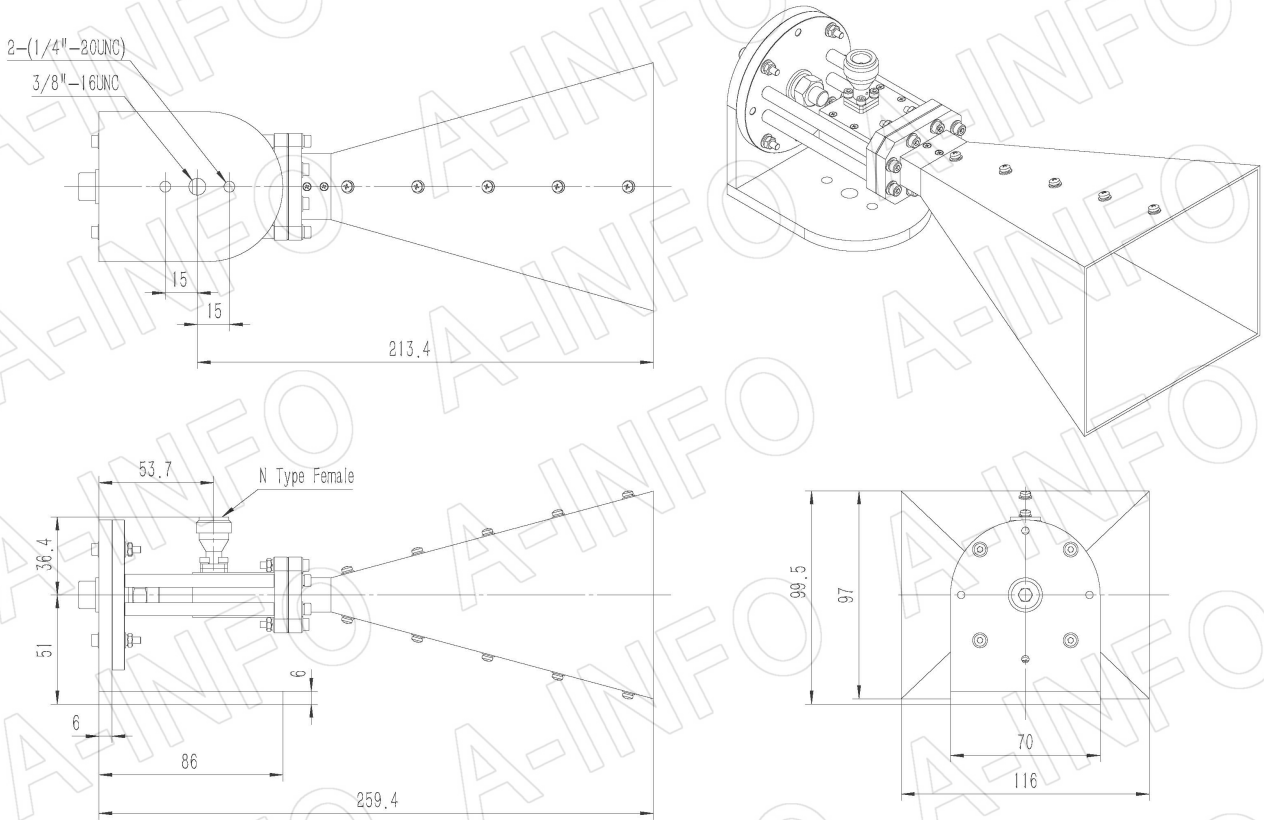
## N-Female Output with Round Mounting Bracket (Option, P/N: LB-475110-10-C-MB)

For SMA-Female output outline drawing, please contact A-INFO.

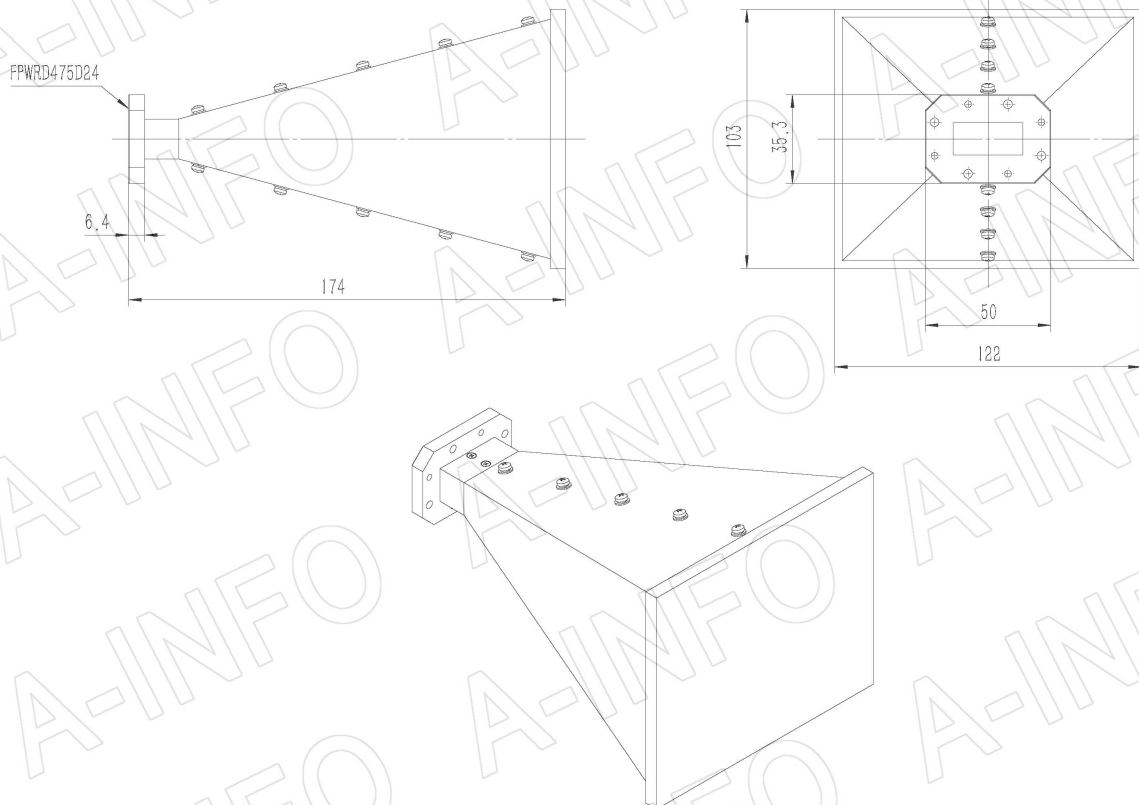


## N-Female Output with L Type Mounting Bracket (Option, P/N: LB-475110-10-C-MBL)

For SMA-Female output outline drawing, please contact A-INFO.

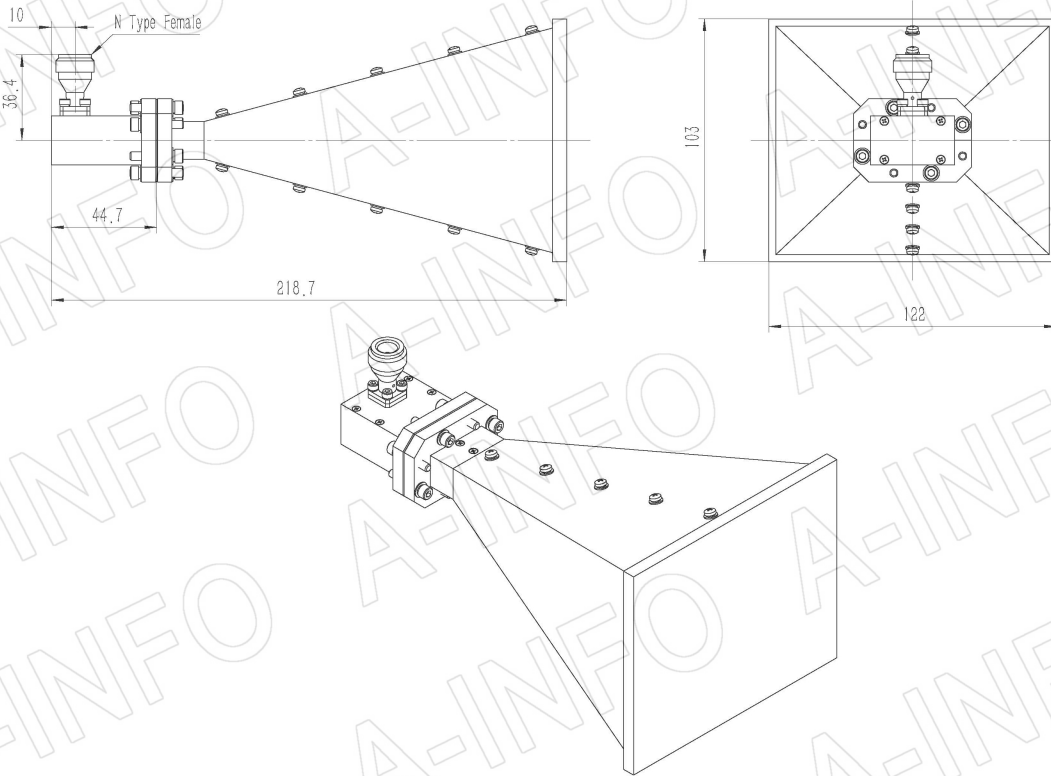


## FPWRD475D24 Output with Radome (Option, P/N: LB-475110-15-ASPO, Application Outdoor)



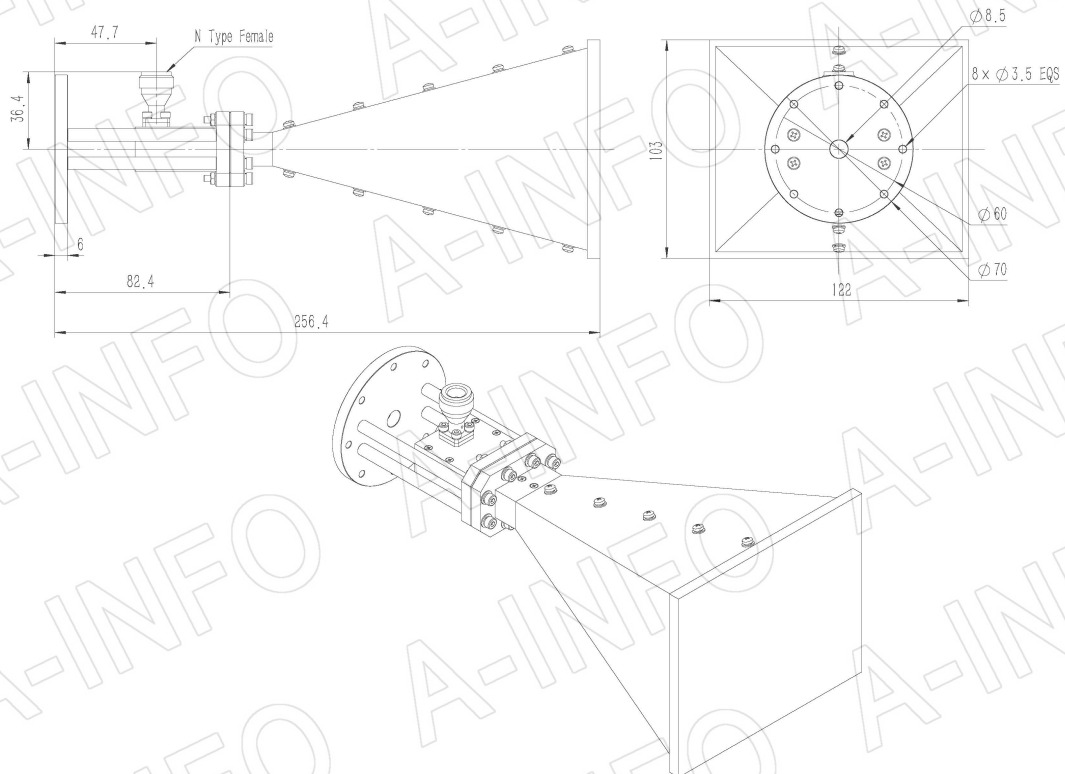
**N-Female Output with Radome (Option, P/N: LB-475110-15-C-NFSP0, Application Outdoor)**

For SMA-Female output outline drawing, please contact A-INFO.



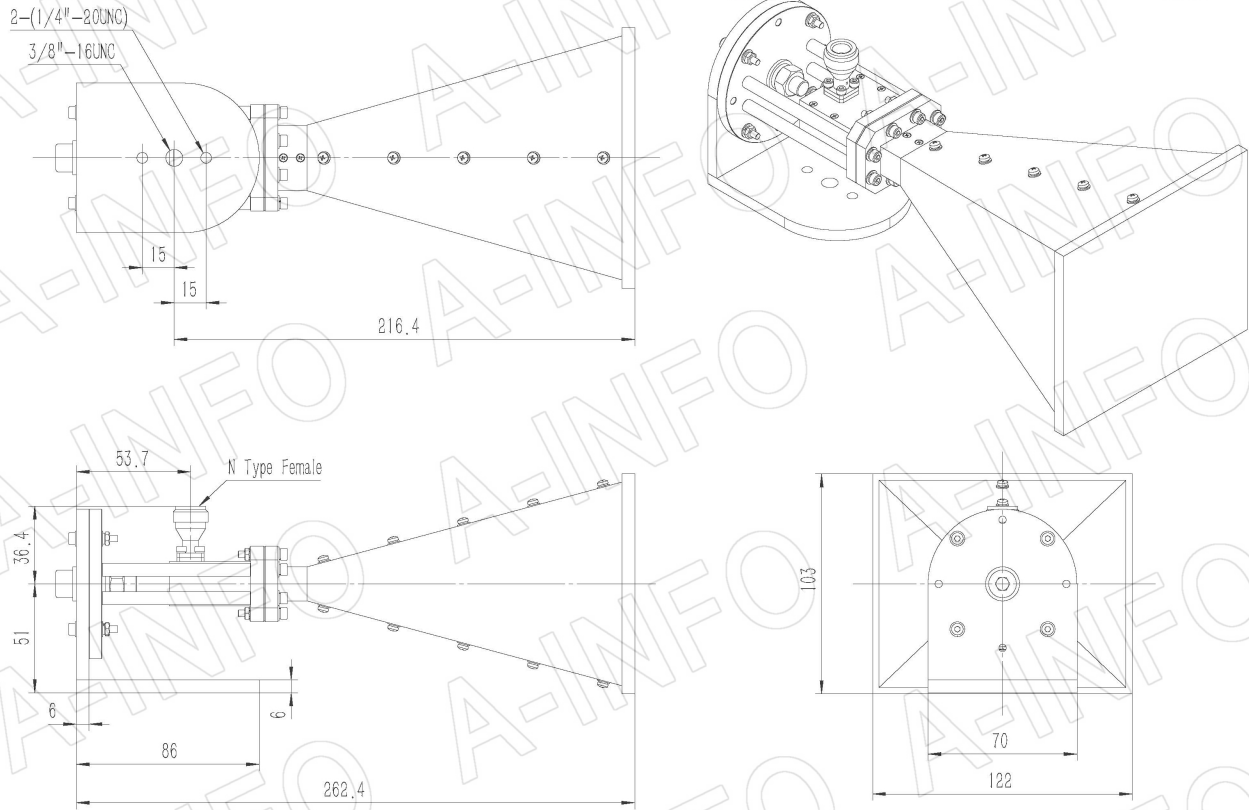
**N-Female Output with Round Mounting Bracket & Radome (Option, P/N: LB-475110-10-C-MB & LB-475110-15-C-NFSP0, Application Outdoor)**

For SMA-Female output outline drawing, please contact A-INFO.



**N-Female Output with L Type Mounting Bracket & Radome (Option, P/N: LB-475110-10-C-MBL & LB-475110-15-C-NFSP0, Application Outdoor)**

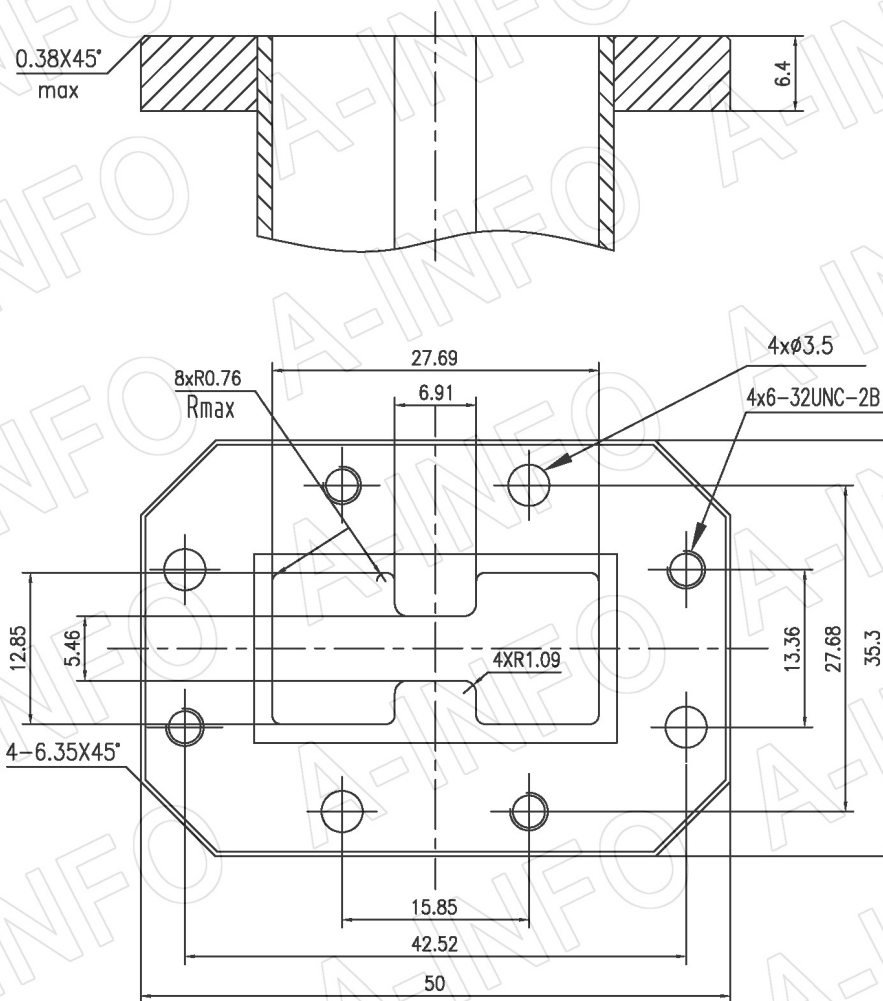
For SMA-Female output outline drawing, please contact A-INFO.



## Flange Drawing (Size: mm)

# FPWRD475D24

(With four through mounting holes  
and four screws holes)



AINFO Inc.

China(Beijing):  
China(Chengdu):  
USA :

Tel: (+86) 10-6266-7326,  
Tel: (+86) 28-8519-2786,  
Tel: (+1) 949-639-9688,

(+86) 10-6266-7327  
(+86) 28-8519-3044  
(+1) 949-639-9608

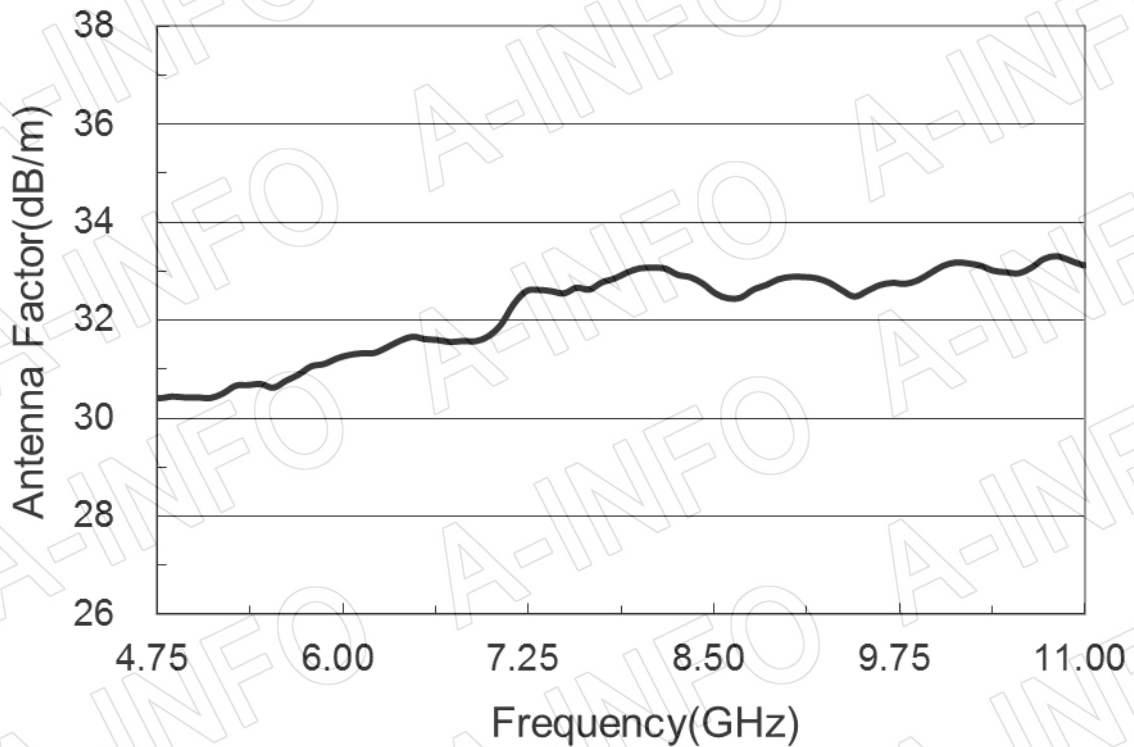
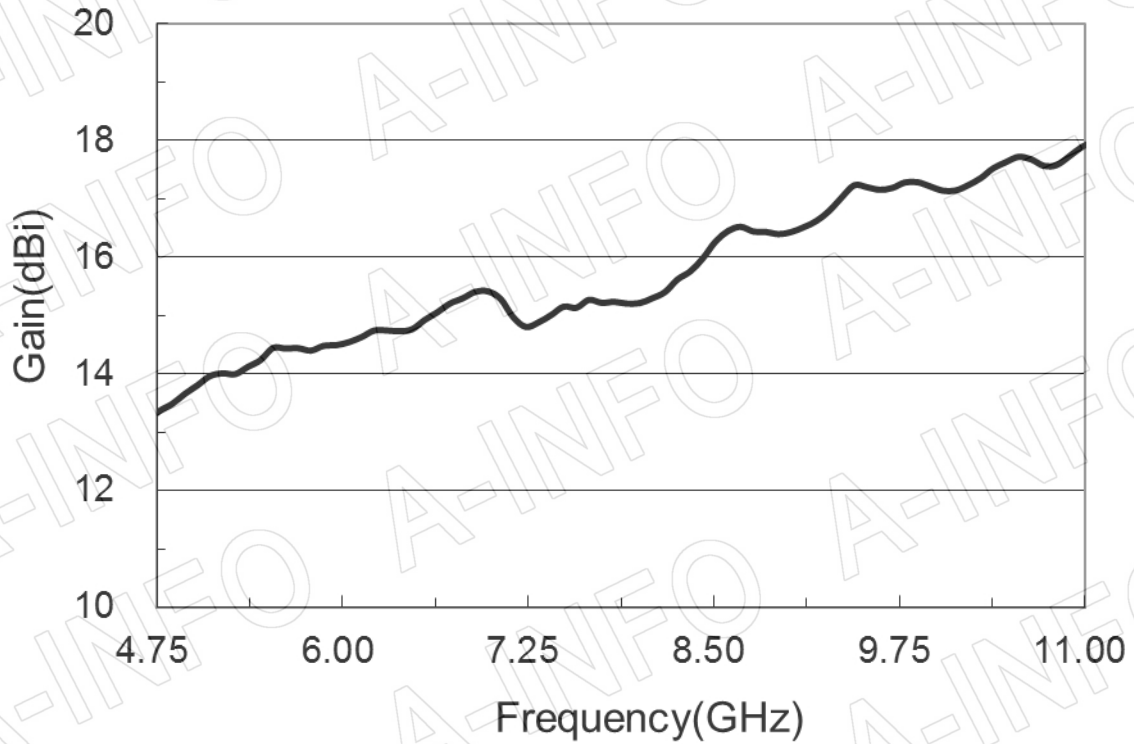
Page 6 of 11

Fax: (+86) 10-6266-7379  
Fax: (+86) 28-8519-3068  
Fax: (+1) 949-639-9670

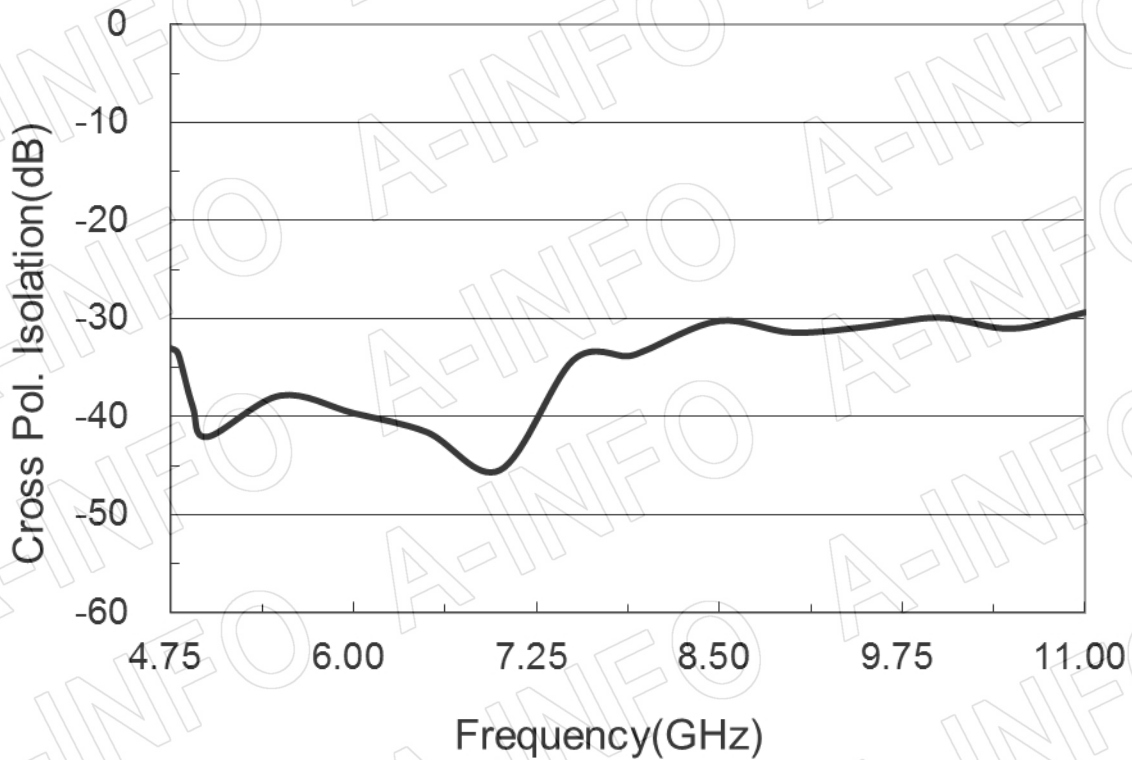
Website: [www.ainfoinc.com](http://www.ainfoinc.com)  
Email: [sales@ainfoinc.com](mailto:sales@ainfoinc.com)

## Test Results

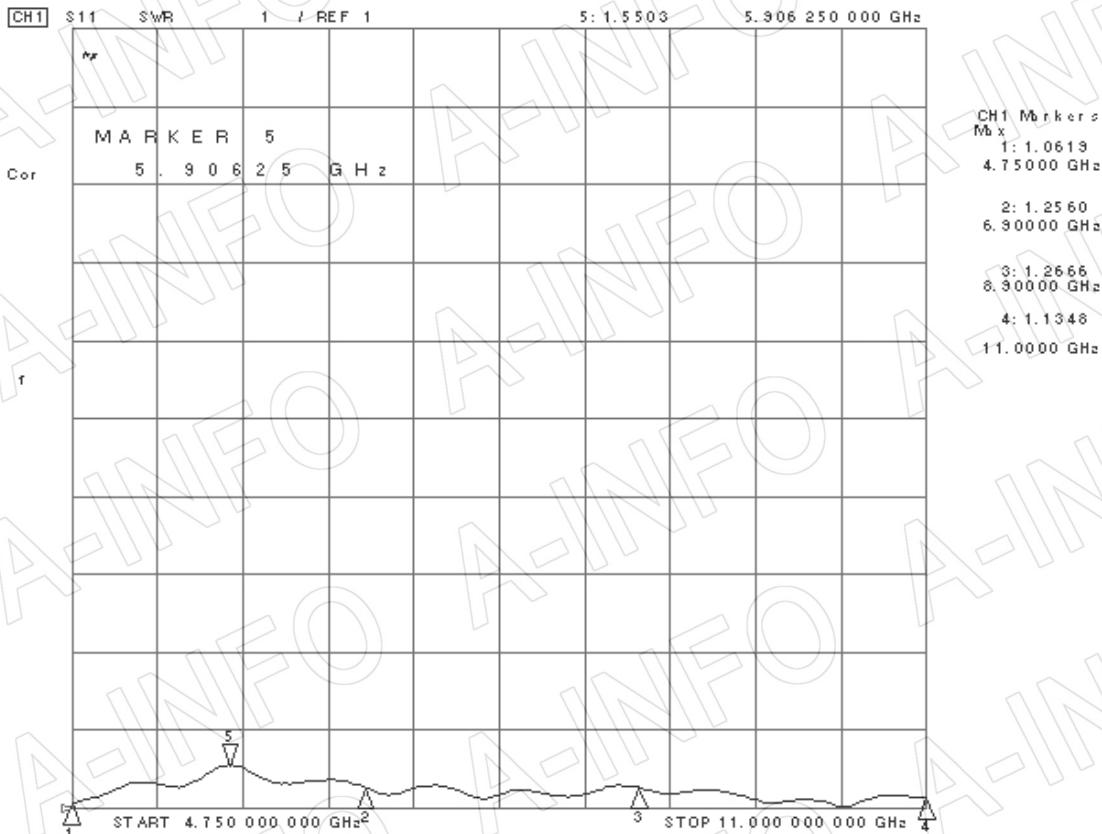
### 1. Gain & Antenna Factor



## 2. Cross Polarization Isolation



## 3. VSWR





## 4. Pattern

